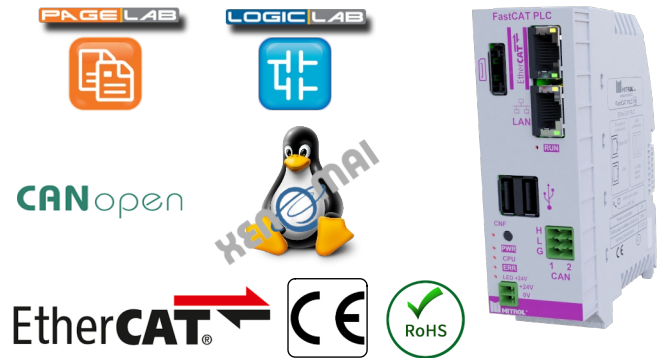


## Introduction

FastCAT PLC is a PLC/CNC featuring an EtherCAT master and a 2 channels CAN master or one master and one slave.

The integration of an EtherCAT coupler allows to manage up to 16 MTBus local I/O modules in the same DIN rail, following the FastCAT philosophy.

Related documentation:  
FastCAT PLC Hardware Manual – RT122045



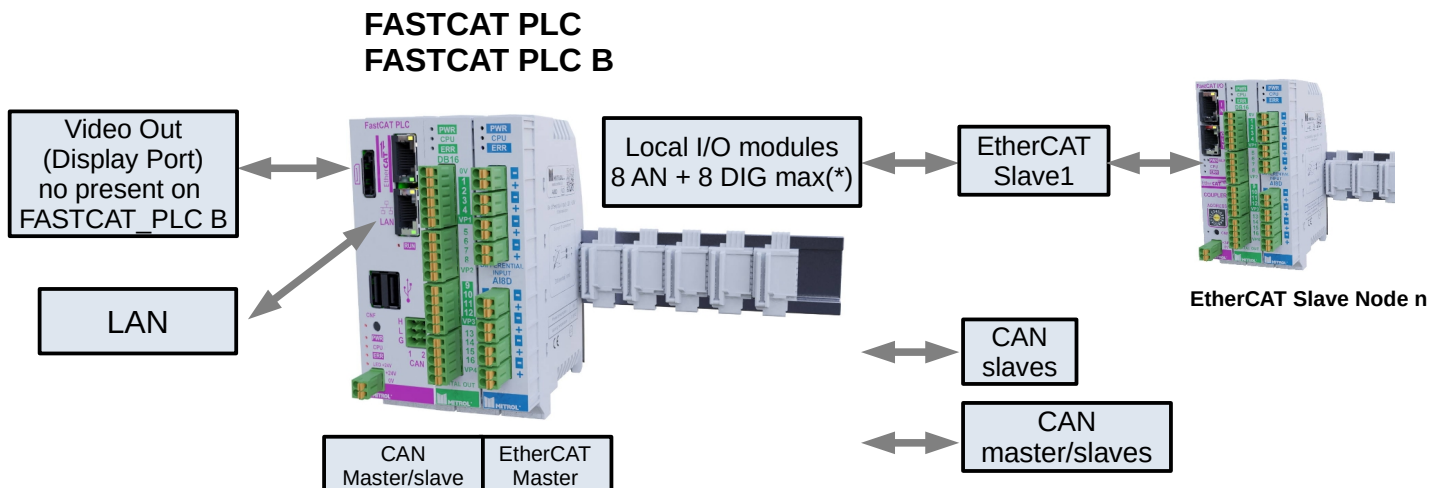
## Hardware Specification

| Feature                                   |                                                                                                                                                                            |
|-------------------------------------------|----------------------------------------------------------------------------------------------------------------------------------------------------------------------------|
| Supply voltage                            | 24 Vdc typ (range 18...36V)                                                                                                                                                |
| Fieldbus                                  | EtherCAT Master, CAN master/slave                                                                                                                                          |
| Local bus MTBus rate                      | Up to 10MHz                                                                                                                                                                |
| EtherCAT Data transfer medium / rate      | EtherCAT cable min. Cat 5 shielded / 100Mbit                                                                                                                               |
| EtherCAT Distance between stations        | Max. 100mt                                                                                                                                                                 |
| EtherCAT Bus interface                    | RJ45                                                                                                                                                                       |
| CAN Ports – Max Speed                     | 1 Master + 1 Master / Slave – 1 Mbps                                                                                                                                       |
| CPU / RAM / Flash                         | IMX6 / 1GB / 4GB                                                                                                                                                           |
| USB 2.0 Port                              | 2                                                                                                                                                                          |
| Electrical                                |                                                                                                                                                                            |
| Power consumption PLC                     | 4.5W                                                                                                                                                                       |
| Power consumption with 16 I/O modules     | 20W max                                                                                                                                                                    |
| Local IO Interface                        | Proprietary MTBus – Max 16 total modules (max 8 Analog)                                                                                                                    |
| Stripping length                          | 8-9mm                                                                                                                                                                      |
| Specification                             | EN 61131-2                                                                                                                                                                 |
| Diagnostic leds – PLC (ARM)               | Power, CPU run, Error, LAN Link, LAN Activity                                                                                                                              |
| Diagnostic leds – EtherCAT Coupler/Master | Power, CPU run, Error<br>EtherCAT run, Internal Status,<br>EtherCAT Link/Act, CNF, 24V                                                                                     |
| CNF push botton                           | Configuration modules on MTBUS                                                                                                                                             |
| RST push botton (* see below for detail)  | Press during boot:<br>First time step (blink ALE led): PLC does not start.<br>Second time step (ALE led ON) : PLC does not start and<br>configure static IP 192.168.100.51 |

### Hardware Specification

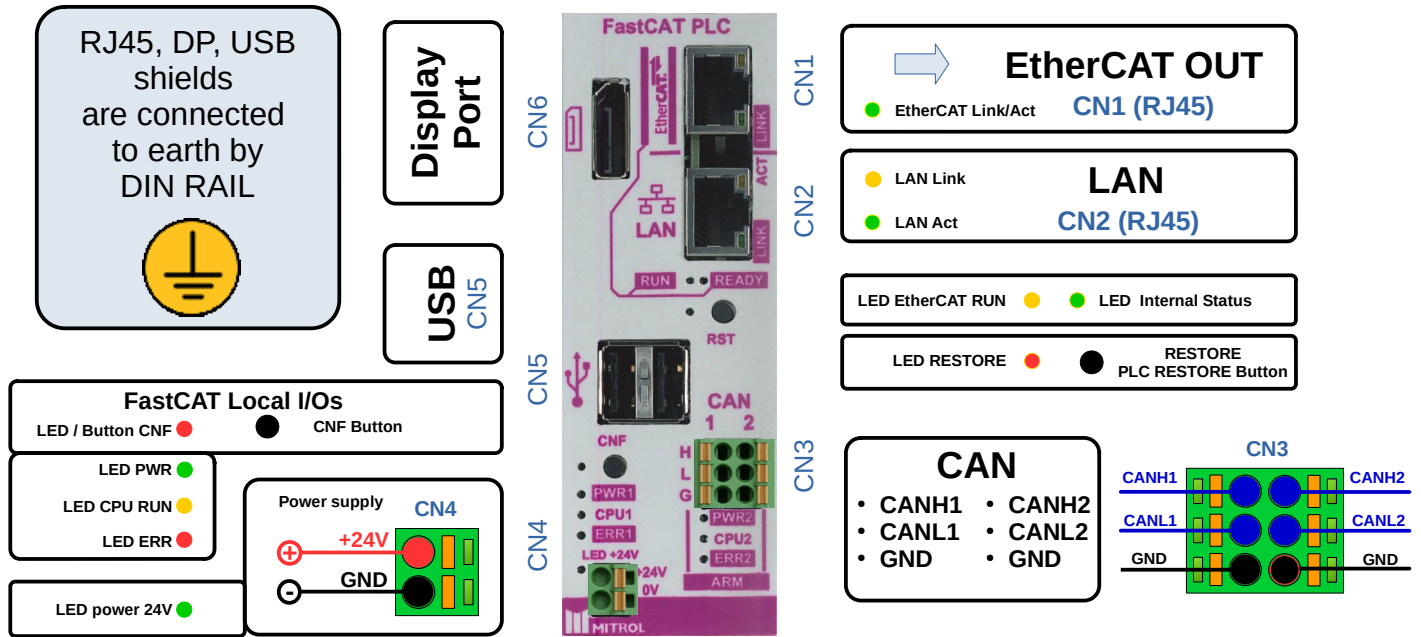
| Mechanical                    |                                                |
|-------------------------------|------------------------------------------------|
| Dimensions [W x H x D]        | 38mm x 120mm x 93mm                            |
| Installation                  | On 35mm DIN-Rail                               |
| Enviroment                    |                                                |
| Operating/storage temperature | 0°C to 55°C / -20°C to 85°C                    |
| Relative humidity             | Max 95% without condensation                   |
| Degree of protection          | IP20                                           |
| Order code                    |                                                |
| FASTCATPLC                    | Standard black box with Display Port output    |
| FATSCATPLCB                   | Standard black box without Display Port output |

### Application



(\*) maximum 16 modules  
maximum 8 analog modules

### Cabling – Front Panel Connections and LED



CN3 CAN bus lines terminated on board  
CN6 no present on FASTCAT PLC B

### Dimensions (Units: mm)

